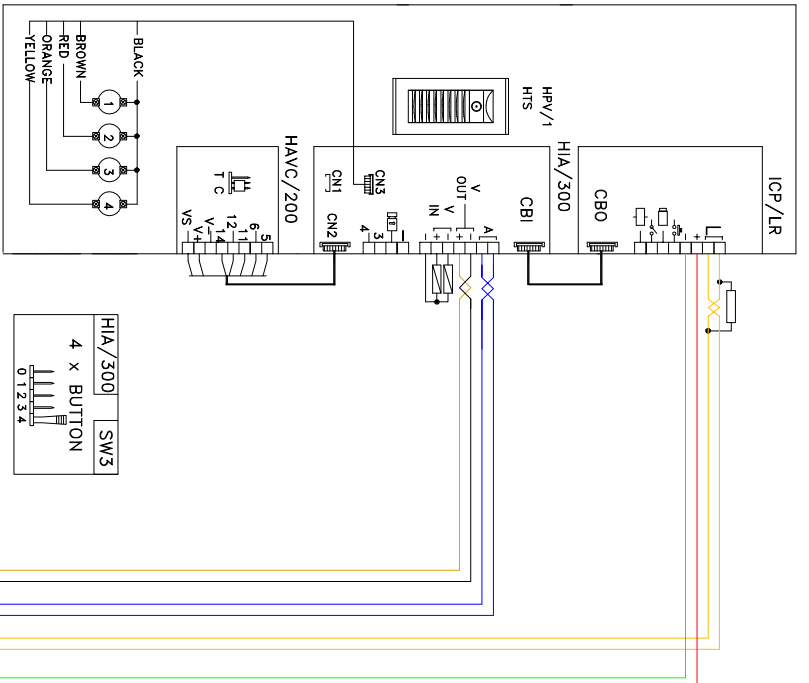
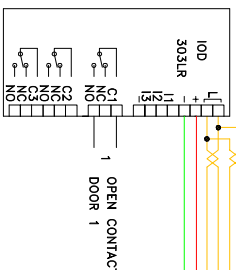


VIDEO
ENTRY PANEL

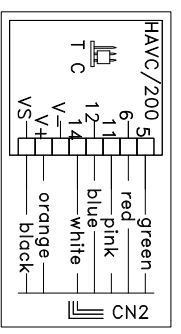
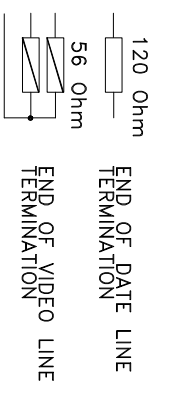


SEE THE HIA/300 INSTRUCTIONS FOR
COLOUR CODE TO HAVC/200 TERMINALS



1. IT IS VITAL THAT THE CLOSING RESISTANCES SHOWN ON THE DRAWING AS 56R & 120R ARE CONNECTED AS INDICATED.

2. THE TWISTED PAIRS MUST NOT BE UNTWISTED TO SIMPLIFY INSERTION INTO TERMINALS,, KEEP THEM TWISTED TOGETHER ALL THE WAY INTO THE TERMINALS

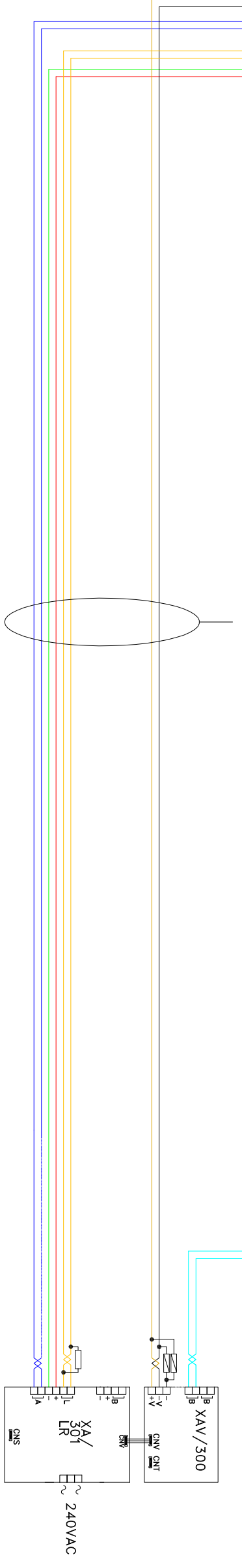
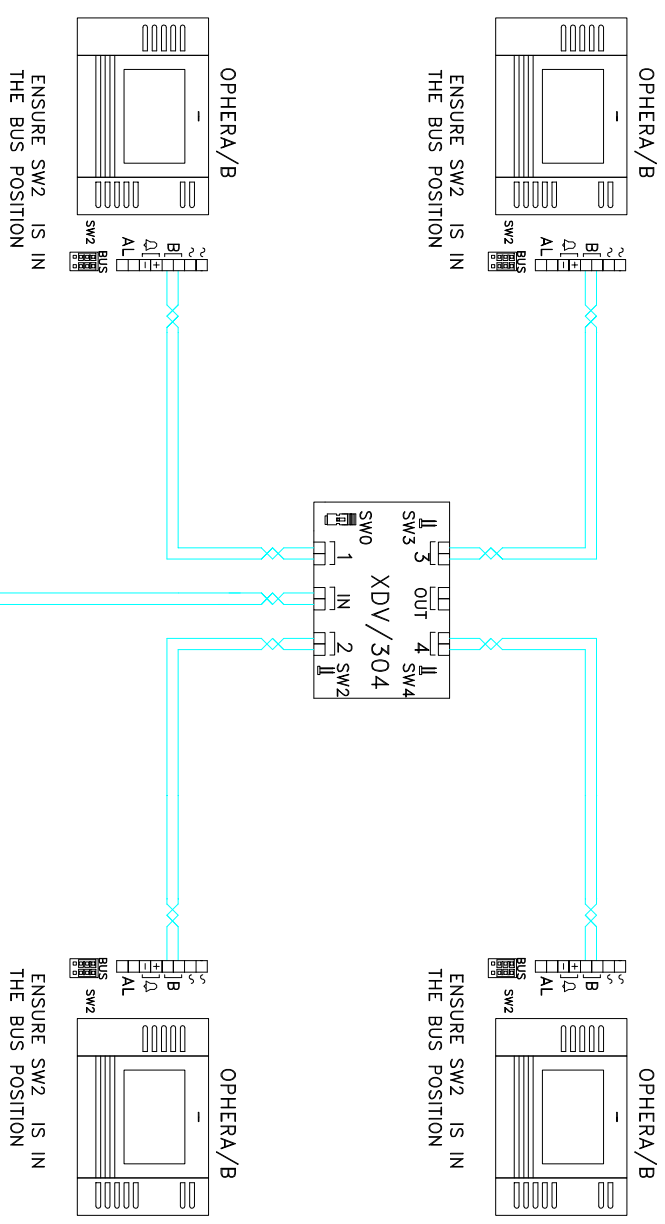


IN THIS CONFIGURATION SHOWN

PLEASE NOTE THE MAXIMUM DISTANCE BETWEEN ENTRY PANEL AND XA/301 CANNOT EXCEED (100M USING VCM/4D), (100M USING CAT5 + 1.0MM PAIR),

PLEASE NOTE THE MAXIMUM DISTANCE BETWEEN XA/301 AND FURTHEST MONITOR CANNOT EXCEED (100M USING VCM/1D), (30M USING CAT5), & (100M USING A 1.0MM SYMMETRICAL PAIR).

ENSURE ON THE LAST XDV/304 JUMPER SWT '0' IS FITTED.



BPT (UK) LTD. HERTS. ENGLAND		PREPARED FOR INSTALLER INFORMATION		DATE: 04/03/08	DRAWN:RC
DRAWING TITLE: 1 X 4 BUTTON TARGHA VIDEO ENTRY PANEL & 4 OPHERA MONITORS				REVISED:	DRAWING No: C-4T1P4C